

PART NUMBER : 50012122

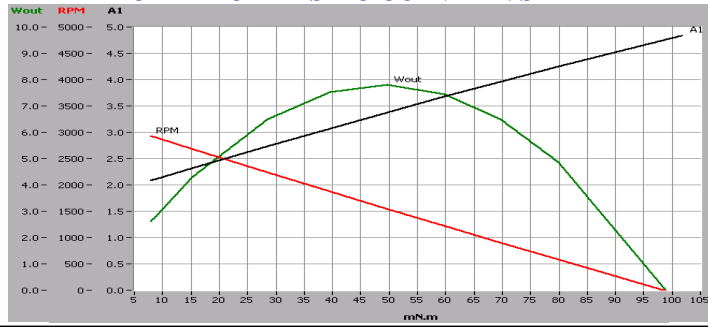
HEATER MOTORS

TECNICAL SPECIFICATIONS

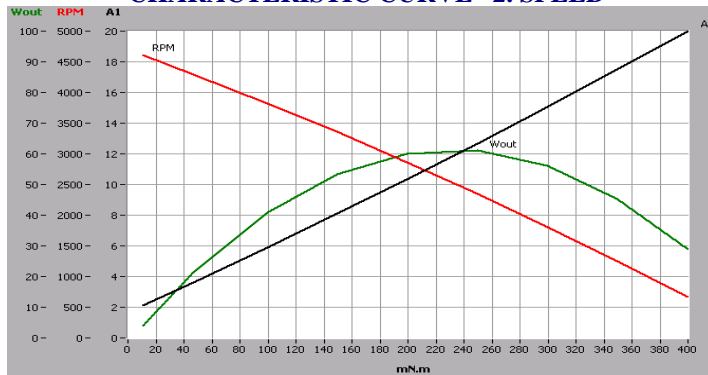
Operating Voltage		12V
Number Of Speed		2
Speed	rpm	2350/3700
Current	A	2.7/5.7
Torgue	Nm	0.03/0.1
Rotational Direction		C.W
IP Class		IP10



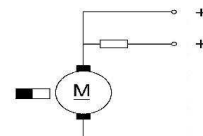
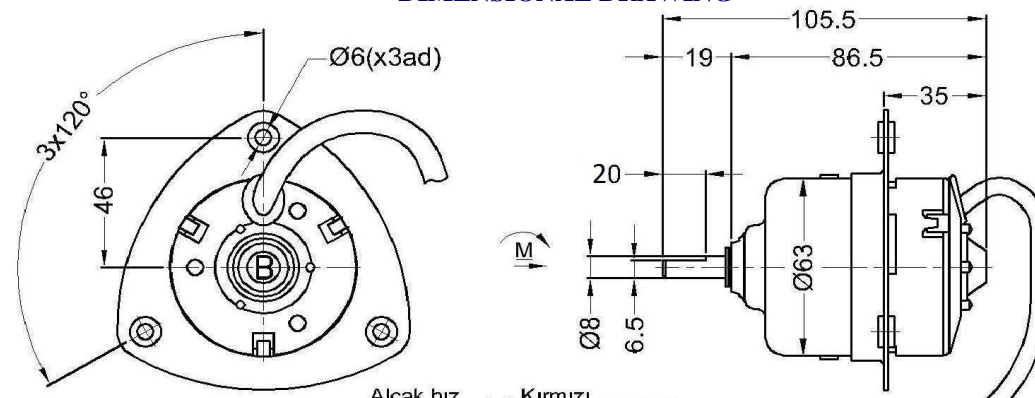
CHARACTERISTIC CURVE 1. SPEED



CHARACTERISTIC CURVE 2. SPEED



DIMENSIONAL DRAWING



- Alçak hız (+) Kırmızı Red
- Yüksek hız (+) Gri Grey
- (-) Siyah Black

