

PART NUMBER : 50013447

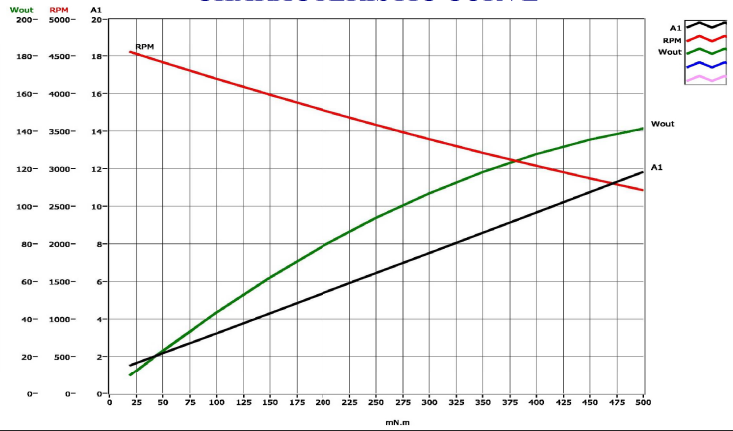
HEATER MOTOR

TECNICAL SPECIFICATIONS

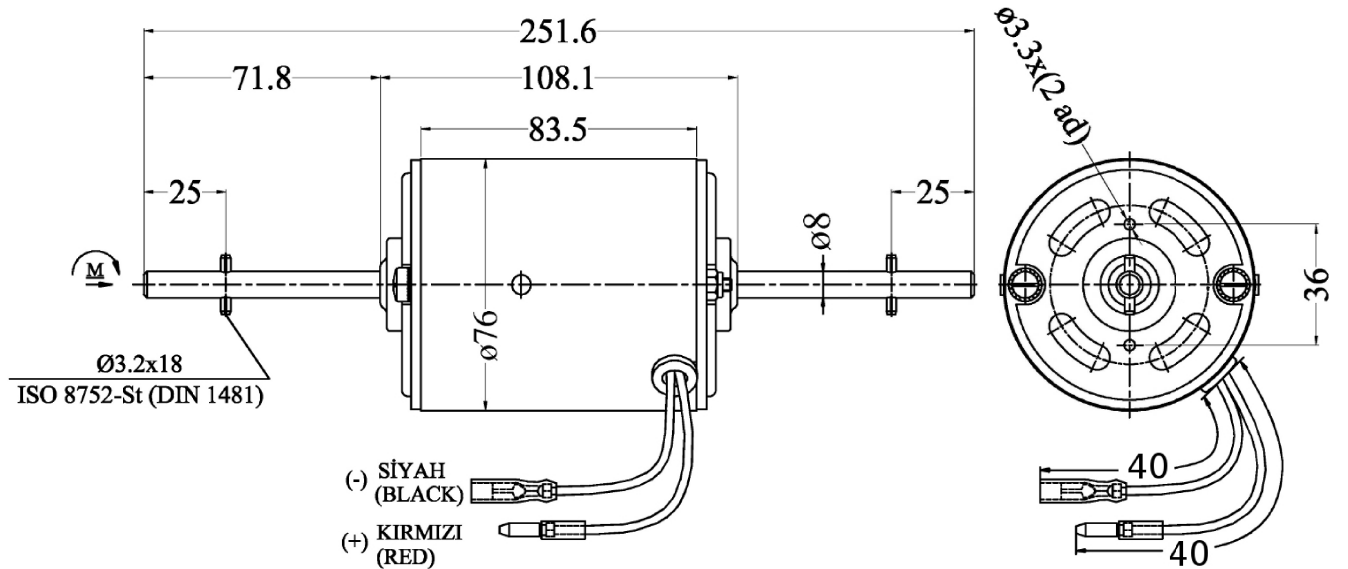
Operating Voltage	V	24
Number Of Speed		1
Speed	rpm	3900
Current	A	5.5
Torgue	N.m	0.2
Rotational Direction		C.W
IP Class	IP	12



CHARACTERISTIC CURVE



DIMENSIONAL DRAWING



CONNECTION DIAGRAM

