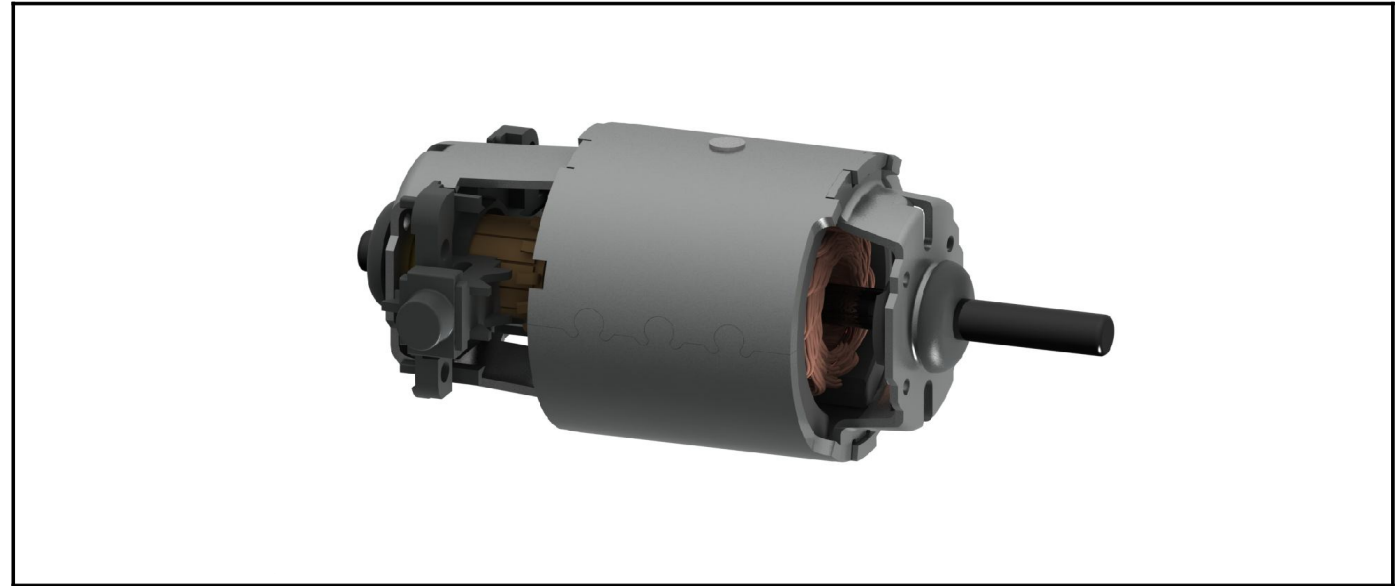


PART NUMBER : 50011105

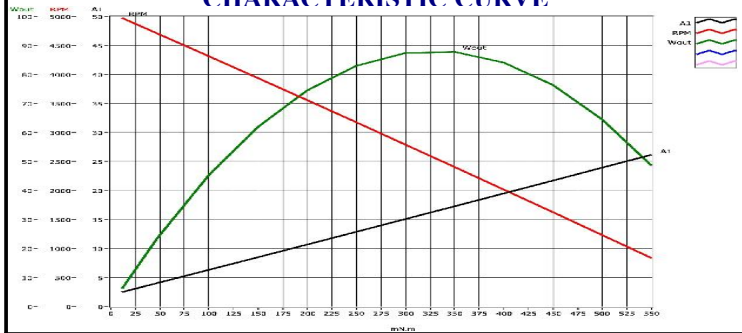
HEATER MOTORS

TECNICAL SPECIFICATIONS

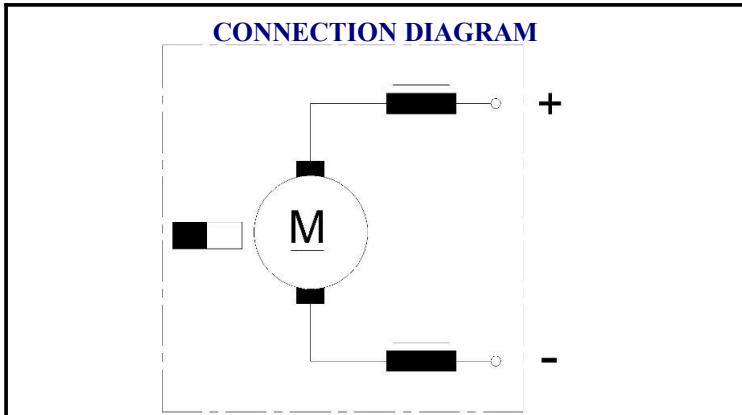
Operating Voltage		12V
Number Of Speed		1
Speed	rpm	3400
Current	A	10
Torgue	Nm	0.20
Rotational Direction		C.W
IP Class		IP12



CHARACTERISTIC CURVE



CONNECTION DIAGRAM



DIMENSIONAL DRAWING

