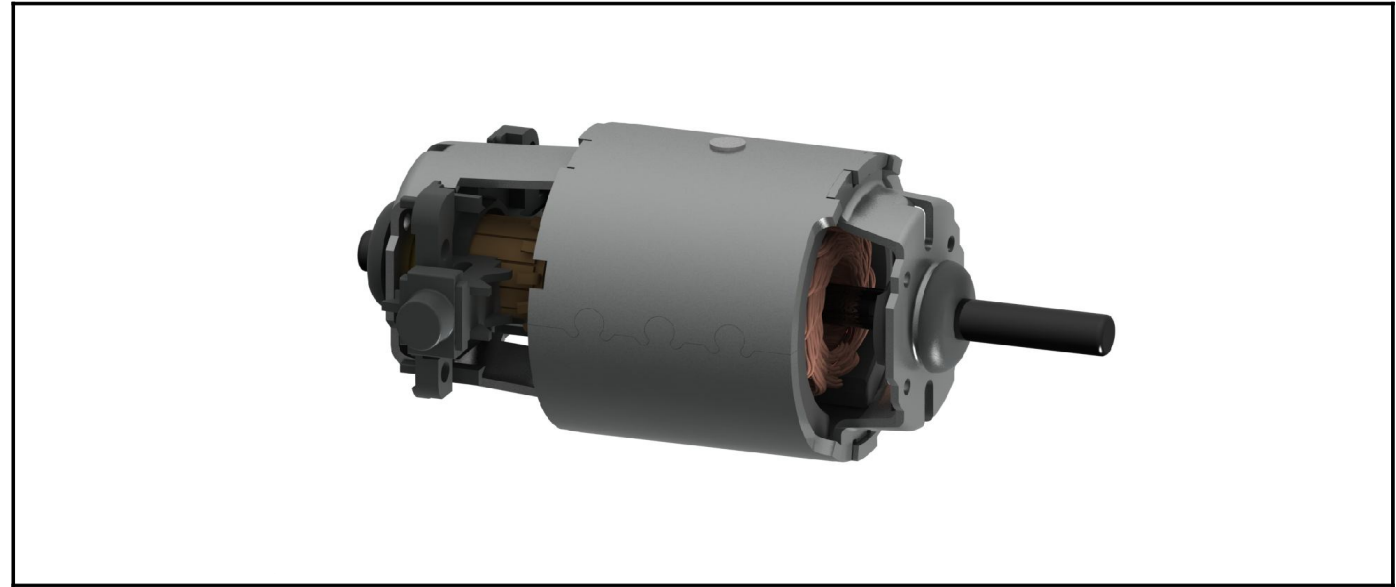


**PART NUMBER : 50011106**

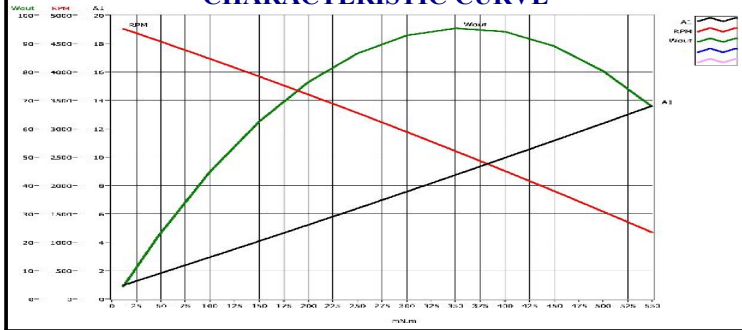
**HEATER MOTORS**

**TECNICAL SPECIFICATIONS**

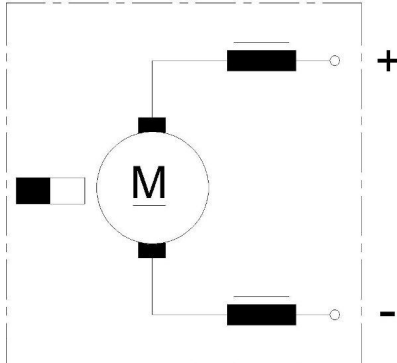
Operating Voltage		24V
Number Of Speed		1
Speed	rpm	3800
Current	A	4.5
Torgue	Nm	0.20
Rotational Direction		C.W
IP Class		IP12



**CHARACTERISTIC CURVE**



**CONNECTION DIAGRAM**



**DIMENSIONAL DRAWING**

