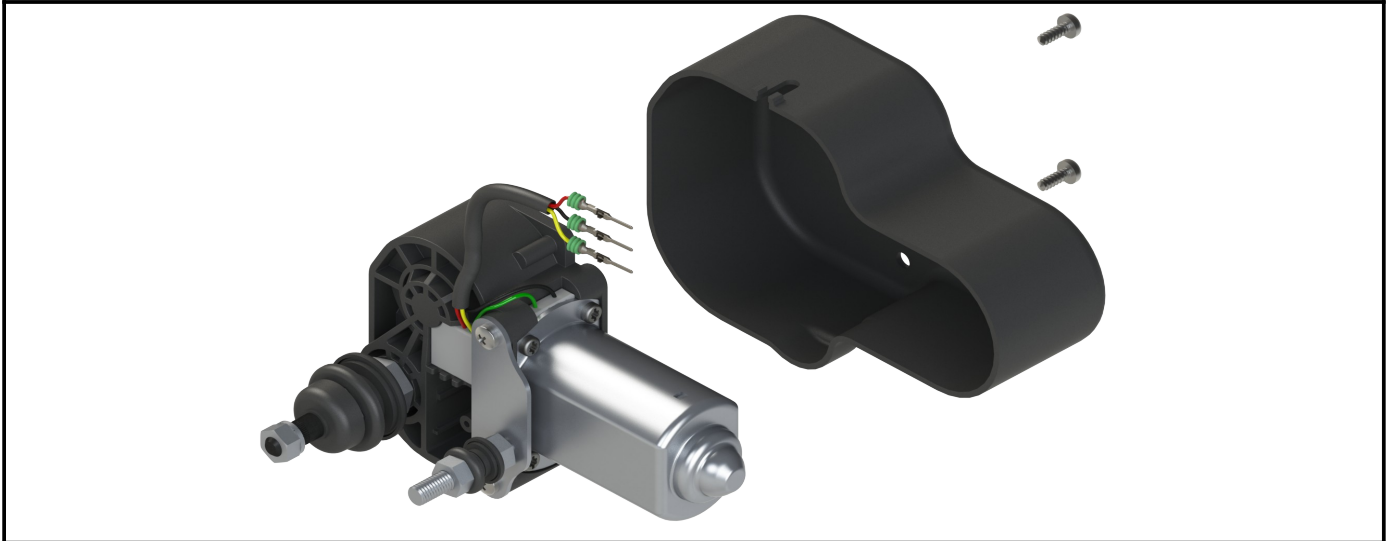


**PART NUMBER : 50031391**

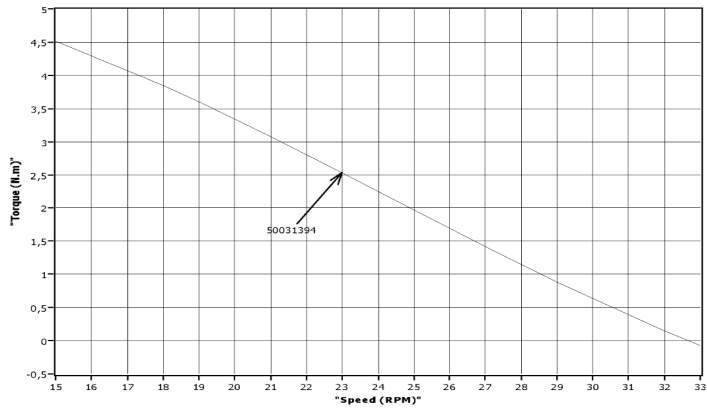
**HEATER MOTORS**

**TECHNICAL SPECIFICATIONS**

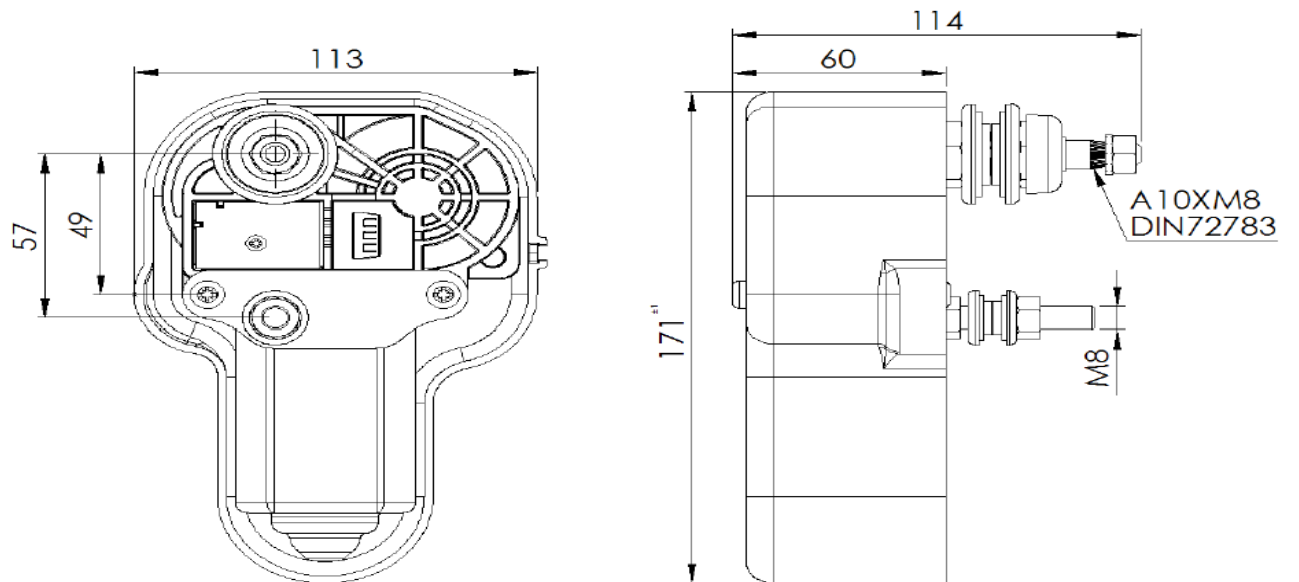
Operating Voltage		12V
Park Position		RH
Speed	rpm	32
Current	A	1,5
Torque	Nm	1
Sweep Angle		130°
IP Class		IP54



**CHARACTERISTIC CURVE**



**DIMENSIONAL DRAWING**



**CONNECTION DIAGRAM**

