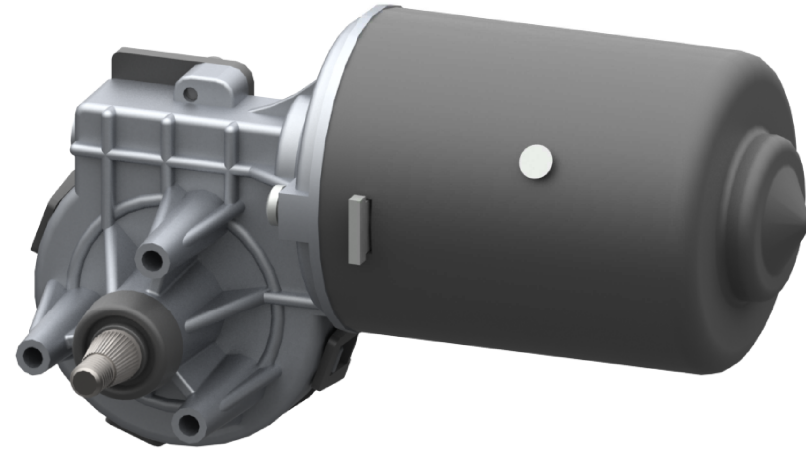


PART NUMBER : 50032512

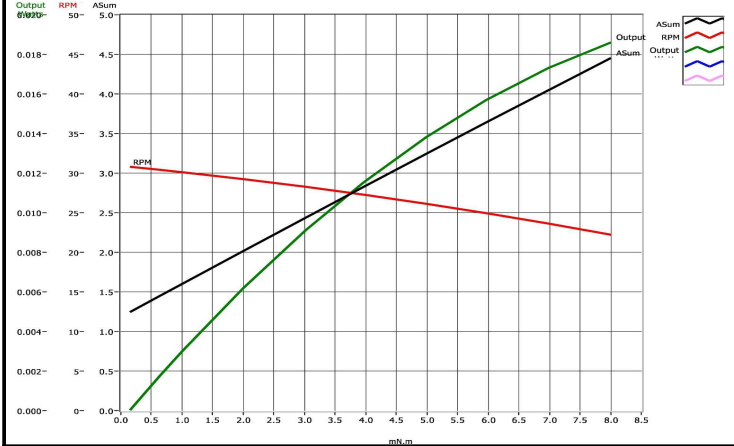
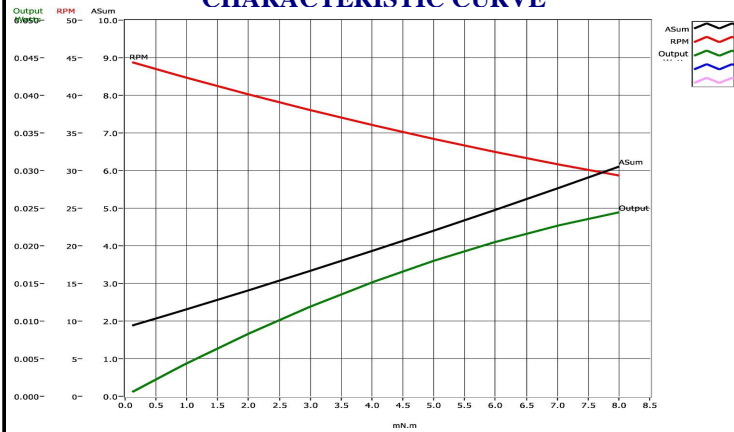
WIPER MOTOR

TECNICAL SPECIFICATIONS

Operating Voltage	V	12
Number Of Speed		2
Speed	rpm	28 / 38
Current	A	2.2 / 3.5
Torgue	N.m	3.0
Rotational Direction		C.C.W
IP Class		IP23



CHARACTERISTIC CURVE



DIMENSIONAL DRAWING

