

PART NUMBER : 50051134

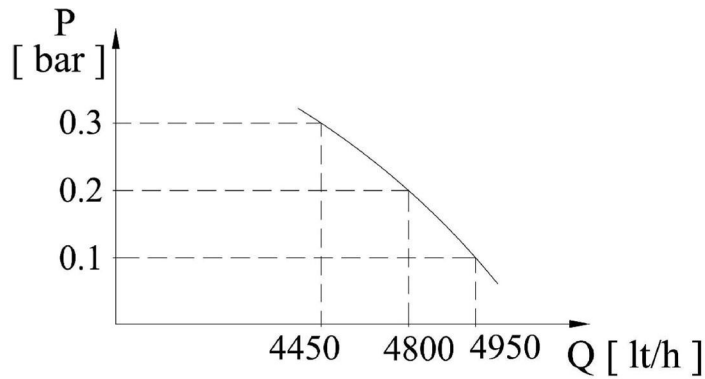
HOT WATER CIRCULATION PUMP

TECNICAL SPECIFICATIONS

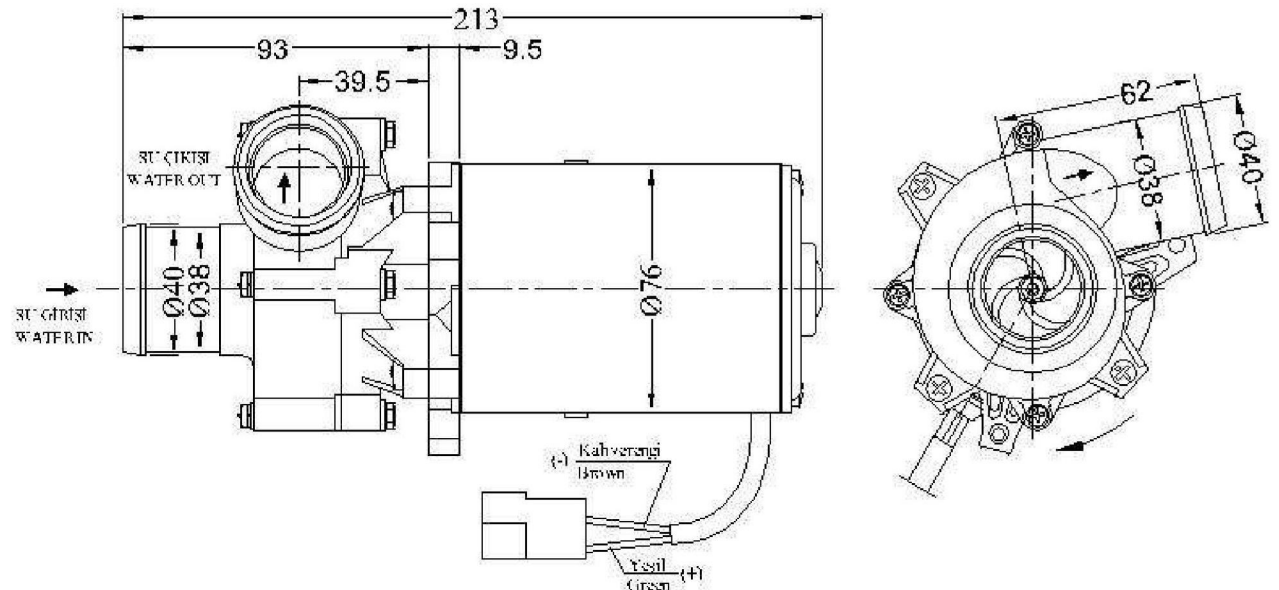
Operating Voltage	V	12
Number Of Speed		1
Speed	rpm	2600
Current	A	7
Torgue	N.m	0.2
Rotational Direction		C.W
IP Class	IP	44



PUMP PERFORMANCE GRAPHIC



DIMENSIONAL DRAWING



CONNECTION DIAGRAM

