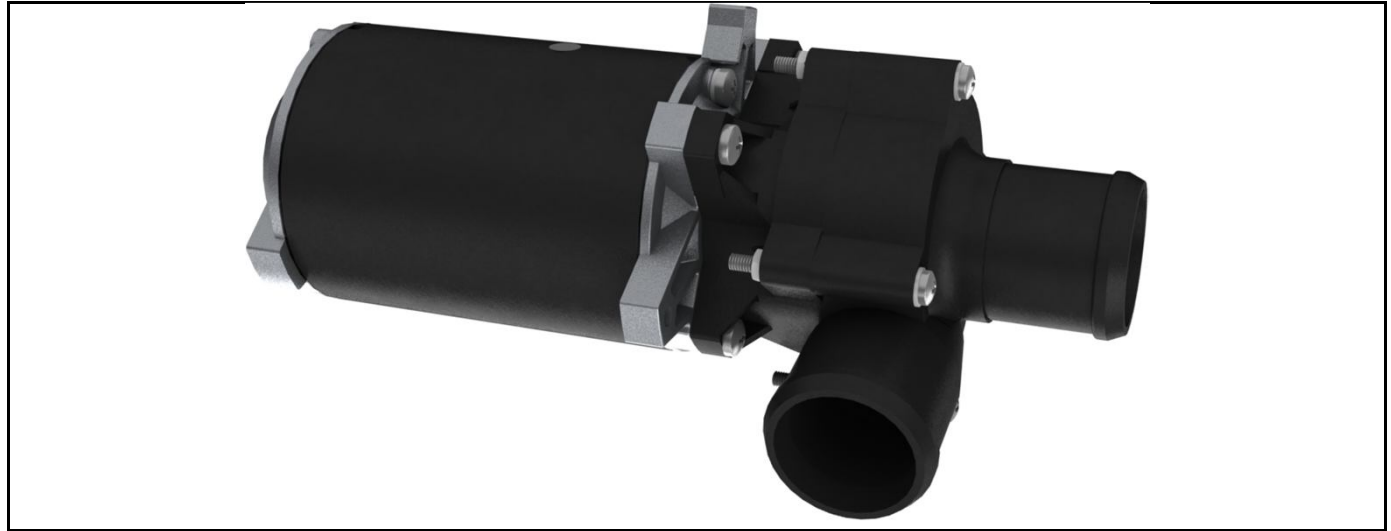


PART NUMBER : 50051136

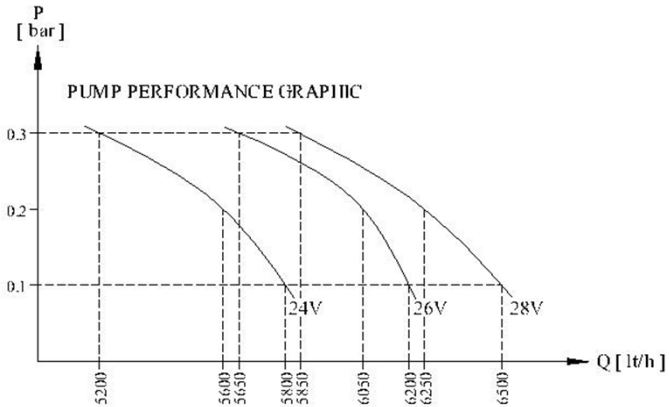
HOT WATER CIRCULATION PUMP

TECNICAL SPECIFICATIONS

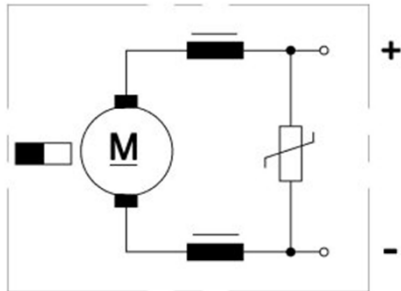
| | | |
|----------------------|-----|------|
| Operating Voltage | V | 24 |
| Number Of Speed | | 1 |
| Speed | rpm | 3450 |
| Current | A | 4.2 |
| Torgue | N.m | 0.2 |
| Rotational Direction | | C.W |
| IP Class | IP | 44 |



PUMP PERFORMANCE GRAPHIC



CONNECTION DIAGRAM



DIMENSIONAL DRAWING

