




PART NUMBER : 50051610

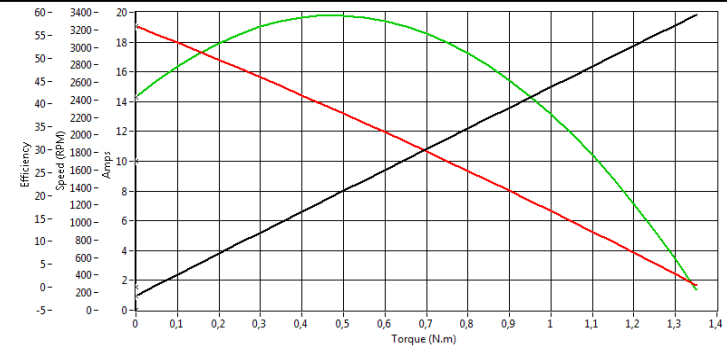
SLIDING DOOR MOTOR

TECHNICAL SPECIFICATIONS




Operating Voltage		24V
Rotation		C.W - C.C.W
Speed	rpm	180
Current	A	5
Torque	Nm	3
Number of Speed		1

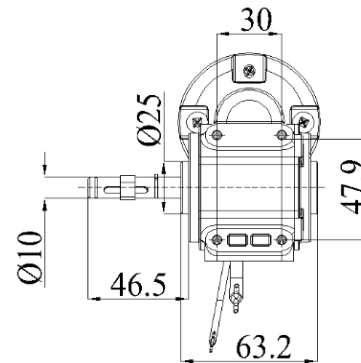
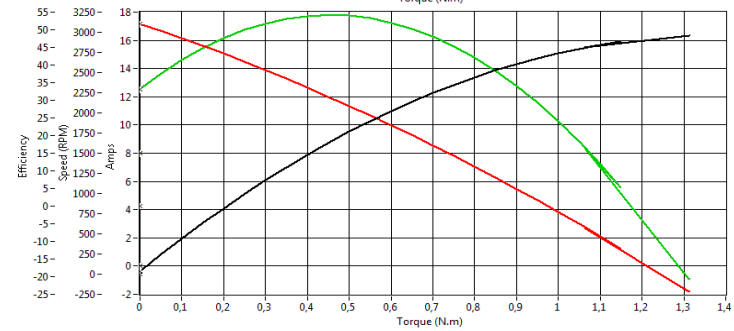
CW

Amps 
Speed (RPM) 
Efficiency 

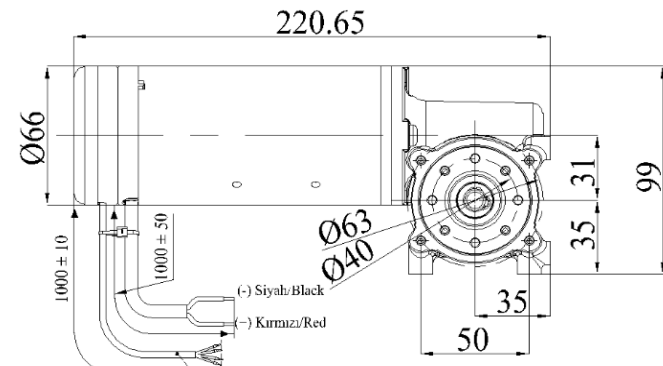


CCW

Amps 
Speed (RPM) 
Efficiency 



DIMENSIONS



33380002	GND (BROWN)
ENCODER	CHANNEL A (YELLOW)
CONNECTION	CHANNEL B (GREEN)
(100PPR)	SUPPLY +5 ~ 24 VDC (WHITE)