
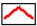
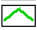


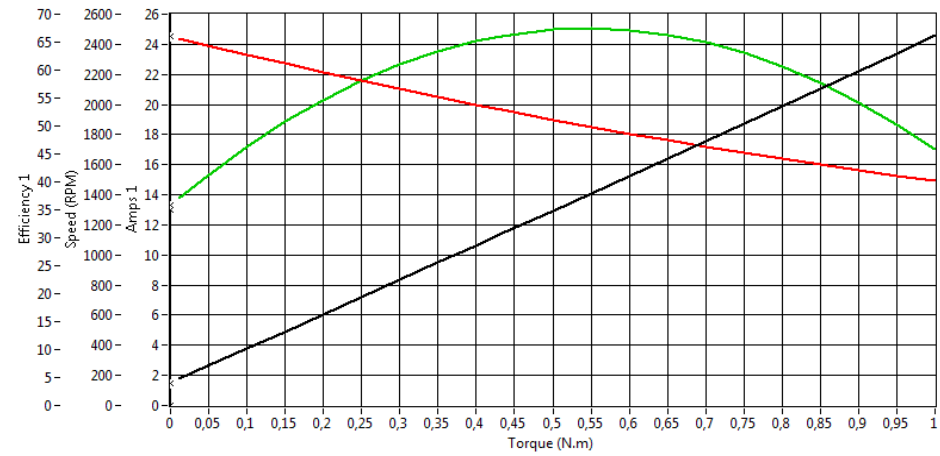
PART NUMBER : 50051619

HYDROLIC WHEEL DRIVE MOTOR

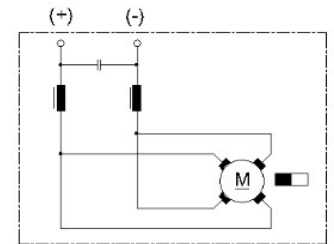
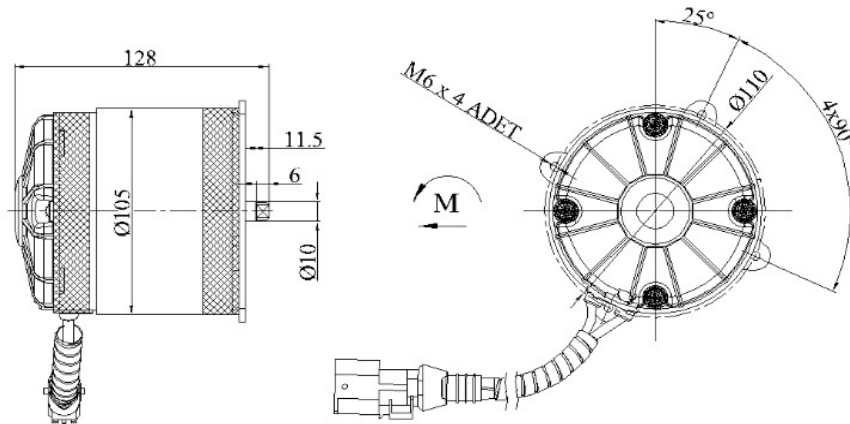
TECHNICAL SPECIFICATIONS

Operating Voltage		12V
Rotation		C.C.W
Speed	rpm	2150
Current	A	11,3
Torque	Nm	0,4
Number of Speed		1

Amps 
Speed (RPM) 
Efficiency 



DIMENSIONS



**DEVRE DIYAGRAMI
(WIRING DIAGRAM)**