

PART NUMBER : 53111306

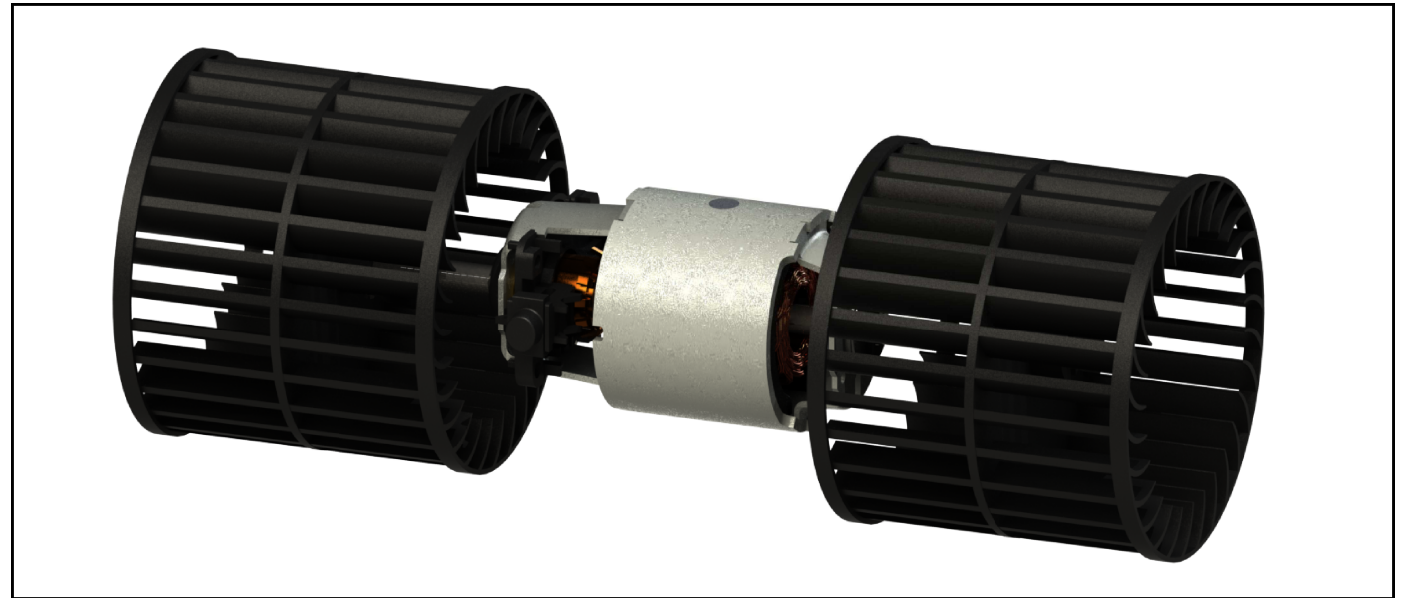
BLOWER MOTOR WITH FAN WHEEL

TECHNICAL SPECIFICATIONS

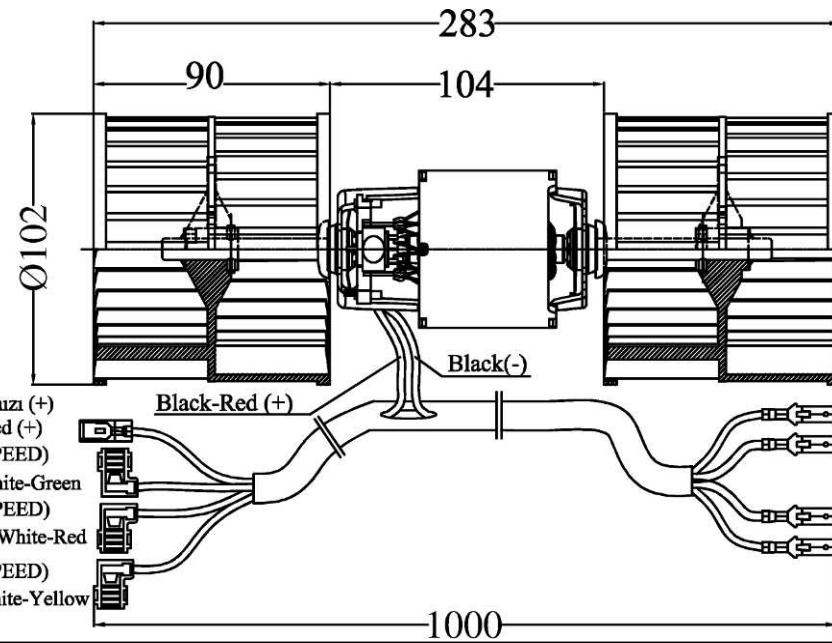
Operating Voltage	V	24
Number Of Speed		3
Speed	rpm	1700/2900/3650
Current	A	2.3/5.2/7.6
Noise	dBA	50/60/70
Vibrations	VbG	1.5/2/2.5

CHARACTERISTIC SPECIFICATIONS

CURRENT (A)	STATIC PRESSURE (mmH ₂ O)	AIRFLOW (m ³ /h)



DIMENSIONAL DRAWING



- Siyah-Kırmızı (+) Black-Red (+)
- 3.HIZ (3.SPEED)
- Beyaz-Yeşil(+) White-Green
- 1.HIZ (1.SPEED)
- Beyaz-Kırmızı (+) White-Red
- 2.HIZ (2.SPEED)
- Beyaz-Sarı (+) White-Yellow

CONNECTION DIAGRAM

