



Radial BLDC Fans



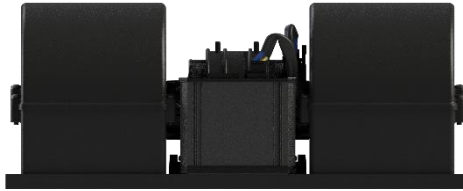
**Edition 1.00**  
15.09.2019

## Automotive BLDC Radial Fans for Commercial Vehicles

- Our dual centrifugal blower: for maximum performance , easy to control and extremely long life for applications.
- No additional maintenance, no additional servicing.
- Discrete mountable BLDC driver.

### Characteristics and benefits

- Long operating life. (Over 40.000 Hours)
- Variable speed control ( 3 level, PWM, 0-10V, 24-0V CANbus)
- High integration density with electronic.
- Limitable and adjustable air flow rate.
- Can be retrofitted into existing systems
- High efficiency
- Compliance with the most stringent EMC requirements
- Wide optimized operation voltage range (16-32V)
- Diagnostic Output ( Physical and CANbus)



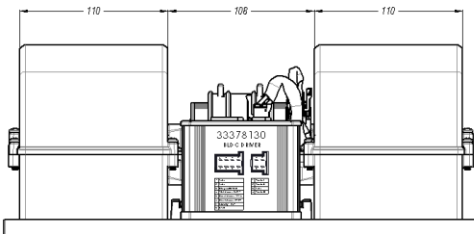
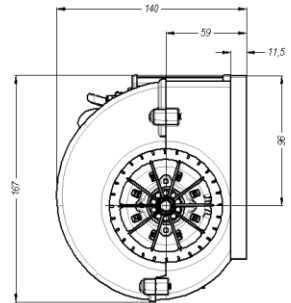
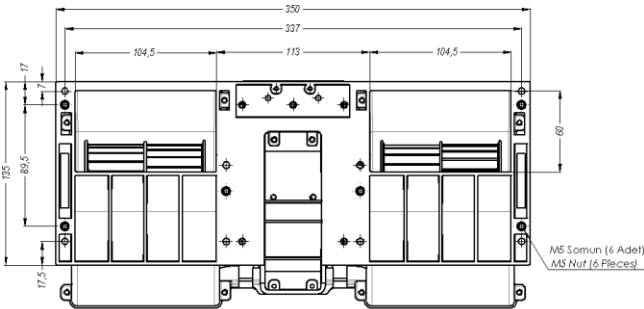
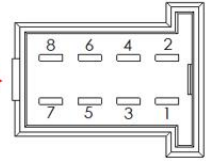
## Dimensions and Connections

- Tyco Power Timer 828801-3, 8-pole, coded. 828801-3
- Mating connector Tyco 929504-3 (not included in scope of delivery).



### Connector detail

1. Can L
2. Can H
3. Diagnostic Out
4. 1st. Speed / 24-0 V
5. 2nd. Speed / PWM
6. 3rd. Speed / 0-10V
7. UN
8. GND



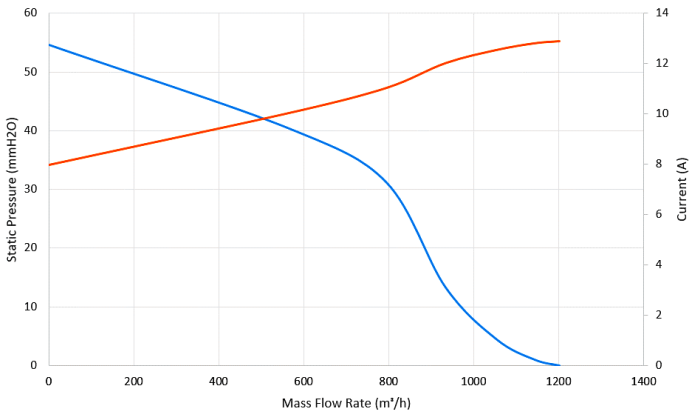
## Dual Centrifugal Blower



- **Material:** Housing: PP plastic, black (according to UL 94 V0)  
Blades: PA66 plastic, black (according to UL 94 V0)
- **Degree of protection:** Motor/ Electronics: IP 21
- **Insulation class:** "H"
- **Mounting position:** Any
- **Mounting of motor:** Maintenance-free ball bearings on both sides
- **Mode:** Continuous operation (S1)
- **Blower protection:** Thermal overload protection, reverse polarity and locked-rotor protection, load dump protection, under voltage detection , overvoltage detection , overcurrent detection

Nominal Data	C. Curve	Nominal Voltage	Nominal Voltage Range	Air flow	Speed	Input Power	Input Current	Min. Back Pressure	Sound Level	Perm. ambient temp.	Weight
Blower	Motor	VDC	VDC	m <sup>3</sup> /h	rpm	W	A	Pa	dB(A)	°C	kg
53762204	50073450	26	16-32	1200	3900	330	12,5	0	79	-40...+85°	2,0

PERFORMANCE CURVES



## Connection / Interface Software



### Easy to Use Interface

BLDC Controller Settings v1.0.2.9

File Parameter Communication About

Conn. Status: YILKA USB-CAN interface is not connect. Dev. Status: **BLDC Controller device not found.**

Stg No	Desc	Pm
S00	Operating Voltage	P01 : 24 VDC
S01	Control Type	P00 : PWM, 0...
S02	Diagnostics Output	P01 : Physical
S03	Group ID Selection	P00 : 0. Frontbox
S04	Speed Limit	P08 : MAX RPM
S05	3-Level Control Mode, 1st Leve...	P02 : %40
S06	3-Level Control Mode, 2nd Lev...	P05 : %70
S07	Reserved	
S08	Reserved	
S09	Reserved	
S10	Reserved	
S11	Reserved	
S12	Reserved	
S13	Reserved	

Control (BDC1)

Group ID: Addr: 0 (FrontBox)

Set Speed (%): 0

Send Msg. Count: 0

Diagnostic (BDD1)

Group ID: groupID

Unique ID: uniqueID

Current Speed (rpm): 0

Diagnostic: -

DC Bus Voltage: voltage

Motor Current: current

Msg. Count: 0

#### Flexible use according to requirements

- You can choose control type method
  - Pwm , 0-10V , 24-0V
  - 3 level control
  - CANBus group control
- Diagnostic output type selection
  - Physical and CANbus
  - Only Physical
  - Only CANbus
- Group control selection for CANbus
  - Frontbox
  - Sidewall Heaters
  - A/C Units
- Levels speed limit adjustment.

Parameter settings, software updates, application customizations and diagnostic messages can be viewed via the interface program. Allows easy connection and easy update the product on the vehicle. Meets all requirements of SAE J1939 CAN (Controller Area Network) with customized messages.