

**PART NUMBER : 53810129**

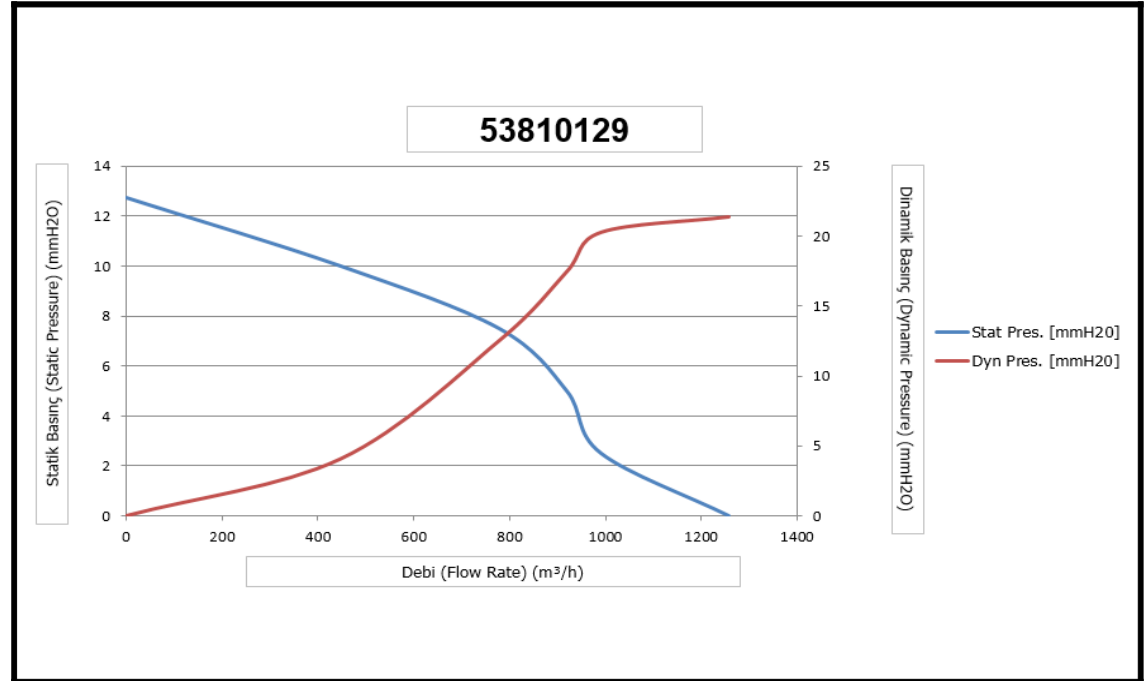
**AXIAL FAN**

**TECHNICAL SPECIFICATIONS**

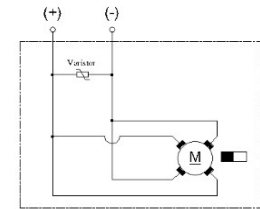
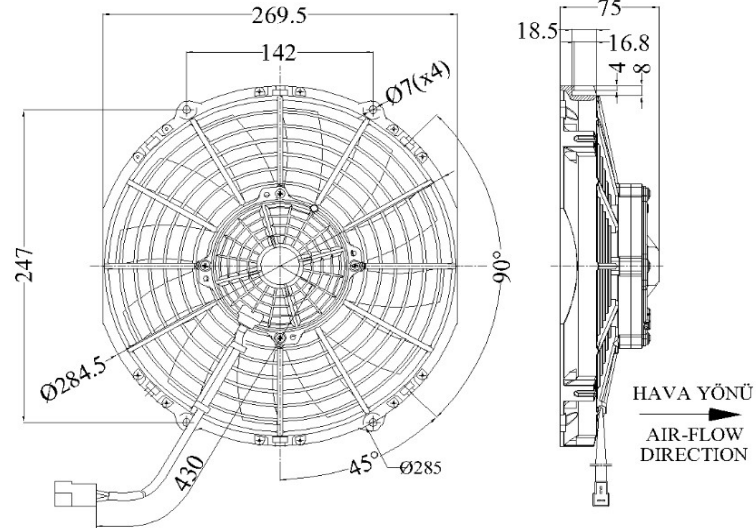
Operating Voltage	V	24
Air Flow Rate	m <sup>3</sup> /h cfm	1250 735
Speed	rpm	2500
Current	A	2,7
Noise	dBA	Max. 80
Vibration	mm/s	1,5
Air Direction		Pull

**PERFORMANCE**

CURRENT (A)	STATIC PRESSURE (mmH <sub>2</sub> O)	AIRFLOW (m <sup>3</sup> /h)
3	0	1255
2,98	2,5	990
2,96	5	920
2,95	7,5	780
2,92	10	450
2,88	12,7	0



**DIMENSIONS**



DEVRE DİYAGRAMI  
(WIRING DIAGRAM)

