

PART NUMBER : 53812126

AXIAL FAN

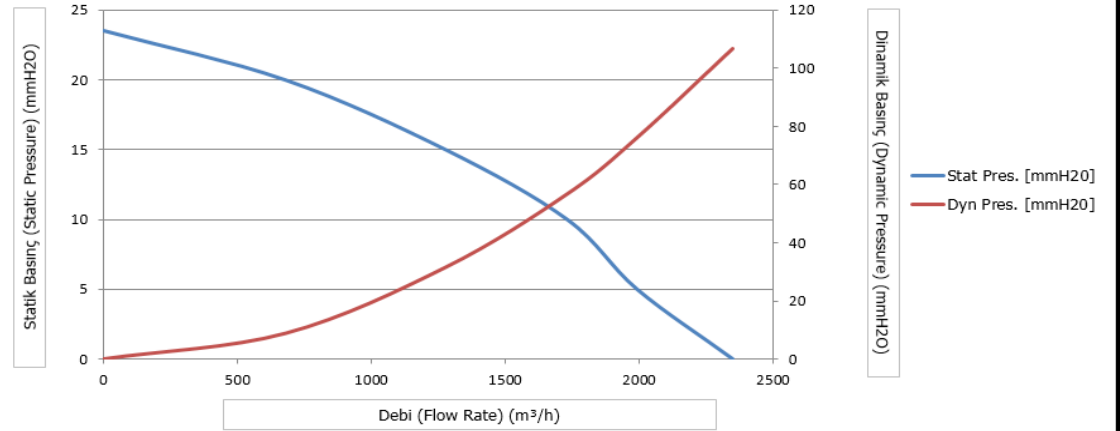
TECHNICAL SPECIFICATIONS

Operating Voltage	V	24
Air Flow Rate	m ³ /h cfm	2350 1380
Speed	rpm	3100
Current	A	7,5
Noise	dBA	Max. 75
Vibration	mm/s	1,5
Air Direction		Pull

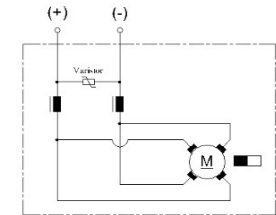
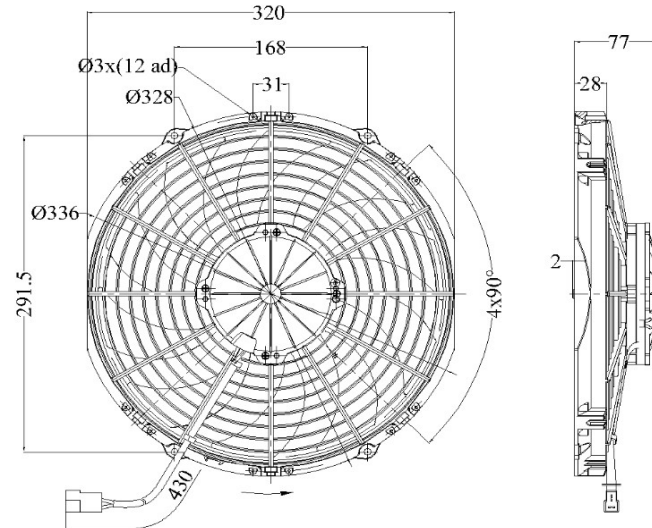
PERFORMANCE

CURRENT (A)	STATIC PRESSURE (mmH ₂ O)	AIRFLOW (m ³ /h)
7,52	0	2350
7,52	5	1990
7,51	10	1730
7,53	15	1280
7,55	20	680
7,56	23,5	0

53812126



DIMENSIONS



DEVRE DİYAGRAMI
(WIRING DIAGRAM)

