

PART NUMBER :53812221

STRAIGHT BLADE AXIAL AIR BLOWER

TECHNICAL SPECIFICATIONS

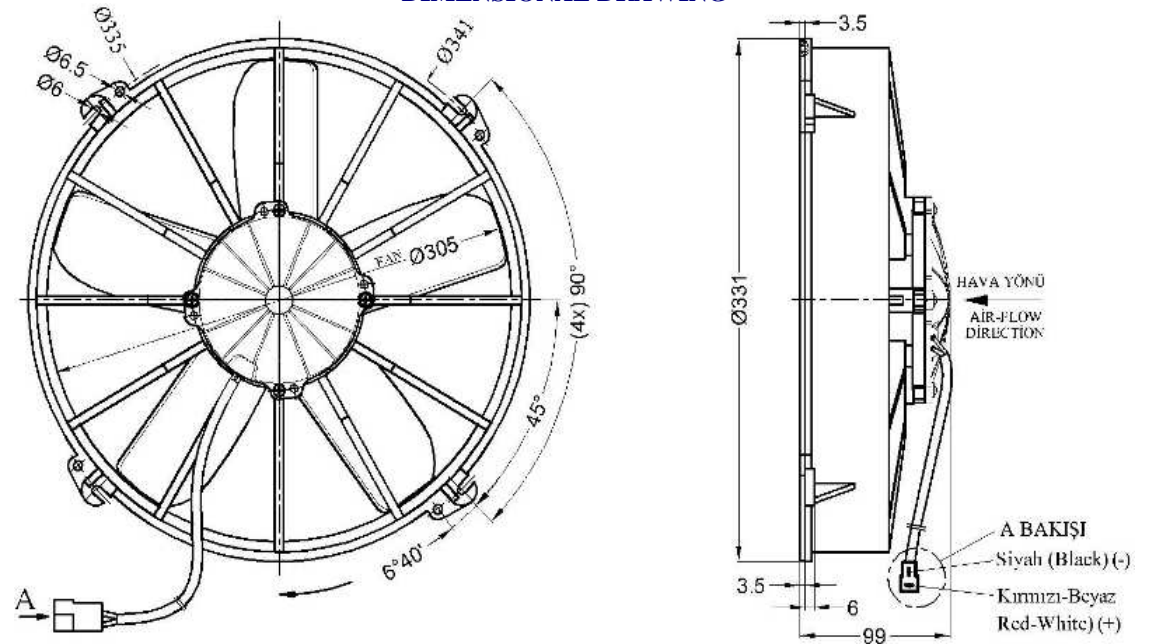
Operating / Test Voltage	V	24 / 26
Number Of Speed		1
Volumetric Flow	Q	2300
Speed	rpm	2900
Current	A	Min 5.4/ Max 6.6
Noise	dBA	85
Vibrations	mm/s	Max 3

CHARACTERISTIC SPECIFICATIONS

CURRENT (A)	STATIC PRESSURE (mmH ₂ O)	AIRFLOW (m ³ /h)



DIMENSIONAL DRAWING



CONNECTION DIAGRAM

