

PART NUMBER :53812224

STRAIGHT BLADE AXIAL AIR BLOWER

TECHNICAL SPECIFICATIONS

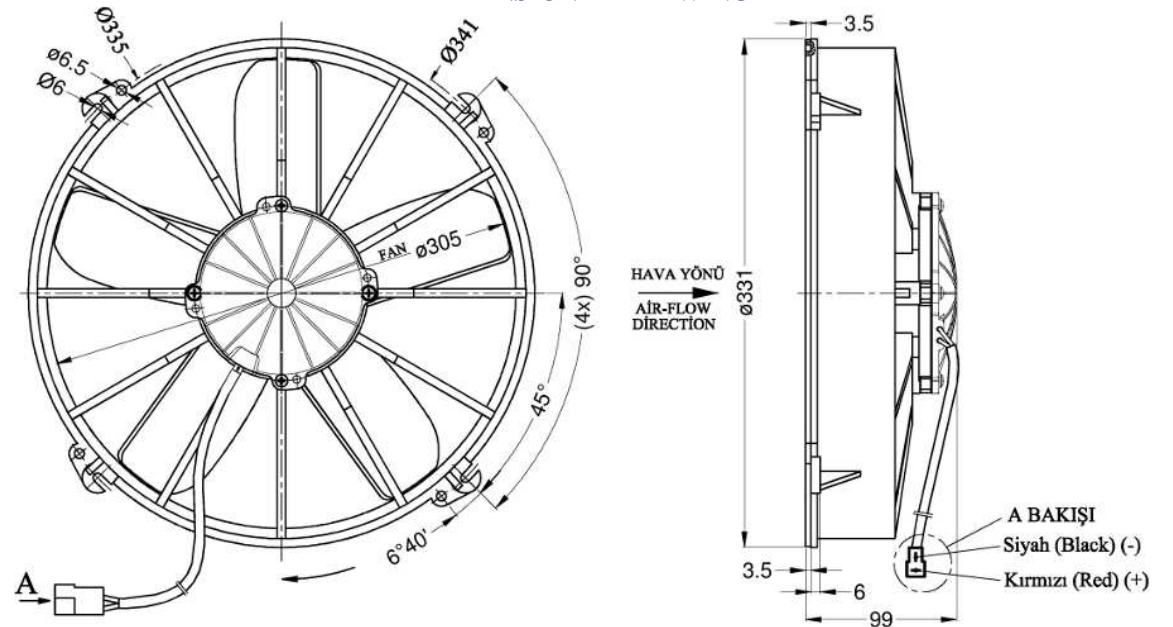
| | | |
|--------------------------|------|------------------|
| Operating / Test Voltage | V | 24 / 26 |
| Number Of Speed | | 1 |
| Volumetric Flow | Q | 2650 |
| Speed | rpm | 3000 |
| Current | A | Min 5.8/ Max 7.2 |
| Noise | dBA | 85 |
| Vibrations | mm/s | Max 3 |

CHARACTERISTIC SPECIFICATIONS

| CURRENT (A) | STATIC PRESSURE (mmH ₂ O) | AIRFLOW (m ³ /h) |
|----------------|--|--------------------------------|
| | | |
| | | |
| | | |
| | | |
| | | |
| | | |
| | | |
| | | |
| | | |



DIMENSIONAL DRAWING



CONNECTION DIAGRAM

