

PART NUMBER : 53814104

S- BLADE AXIAL FAN (VERY LONG LIFE - VLL)

TECHNICAL SPECIFICATIONS

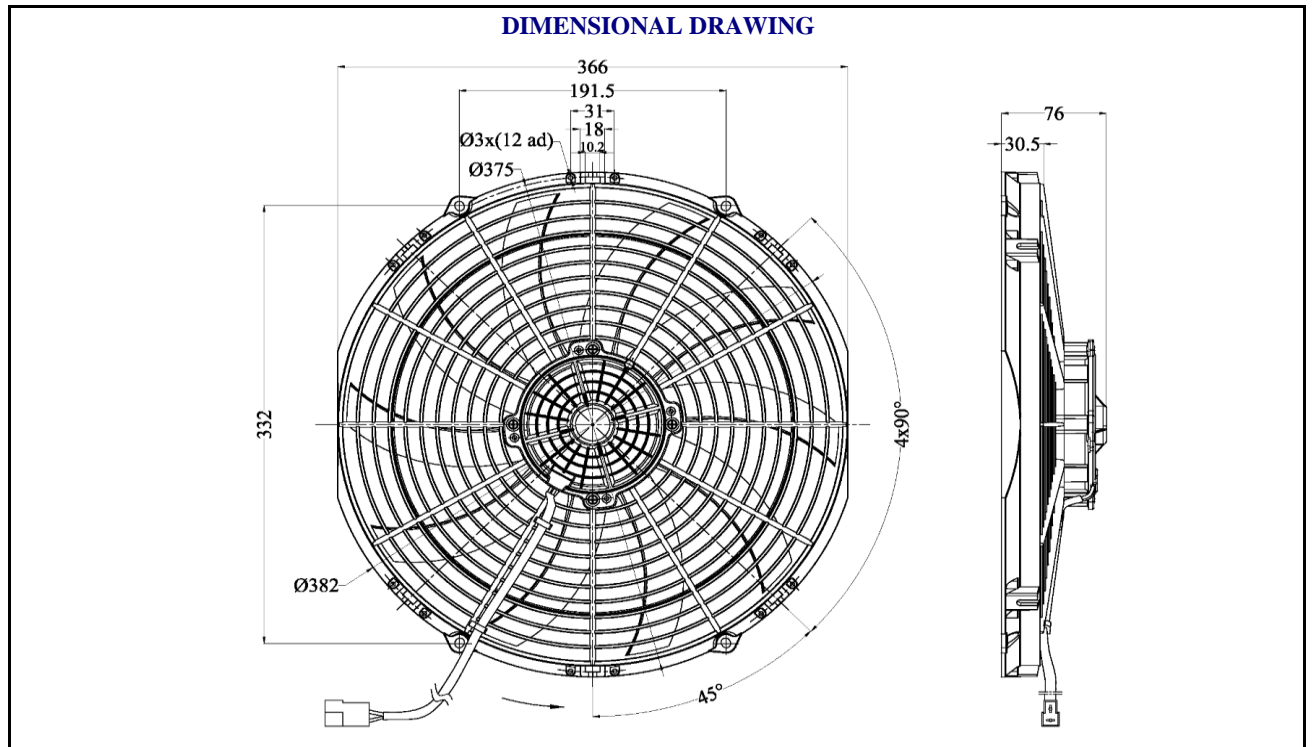
Operating / Test Voltage	V	24
Number Of Speed		1
Volumetric Flow	m ³ /h	2300
Speed	rpm	2100
Current	A	4
Noise	dBa	75
Vibration	mm/s	1,5

CHARACTERISTIC SPECIFICATIONS

CURRENT (A)	STATIC PRESSURE (mmH ₂ O)	AIRFLOW (m ³ /h)



DIMENSIONAL DRAWING



CONNECTION DIAGRAM

