

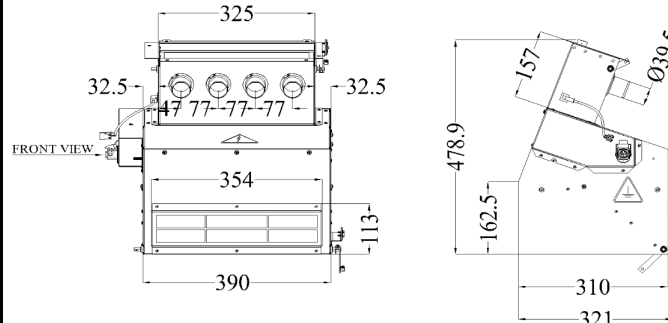
**PART NUMBER : 55030111**

**PTC HEATER FRONTBOX**

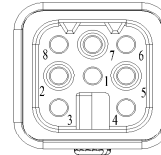
**TECHNICAL SPECIFICATIONS**

Operating Voltage for PTC Heater	V	800
Operating Voltage for Blower	V	24
Flow Rate	m³/h cfm	350 / 550 / 700 205 / 320 / 410
Heat Capacity	kW/h	7 / 10,2 / 12,2
Current	A	3,3 / 5,6 / 7,8
Noise	dBA	55 / 65 / 75
Vibration	VbG	Max. 1,5

**DIMENSIONS**



**C1- CONNECTOR DETAIL FRONT VIEW**  
D4603046 - HARTING 8PIN 09 36 008 3001



PIN	Function
1	Fan Low Speed
2	+800 HV
3	Fan Medium Speed
4	Fan High Speed
5	GND HV
6	GND LV
7	Thermostat -24 V In
8	Thermostat 124 V Out

